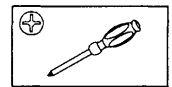


ASSEMBLY INSTRUCTION FOR 5-6688-MSR-BW-80"

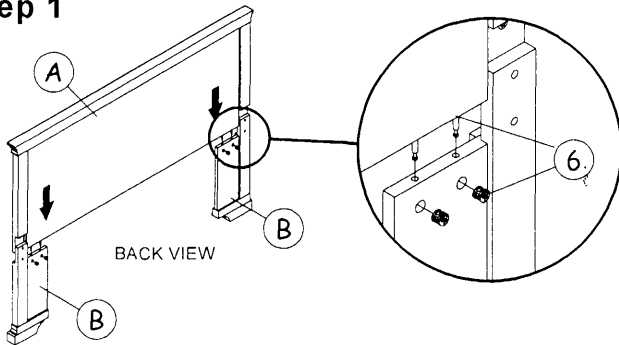
Note:
 ■ Read Instructions carefully.
 ■ Carefully identify each component especially those that are similar.
 ■ Separate and identify each component from the hardware pack and rest each one in its proper location before fastening.
 ■ Do not over tighten the screws or bolts when assembling



TOOL REQUIRED

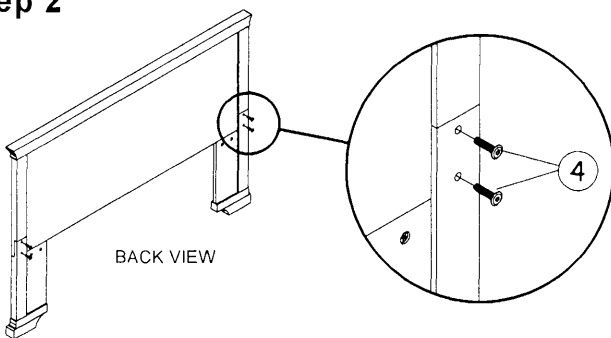


Step 1



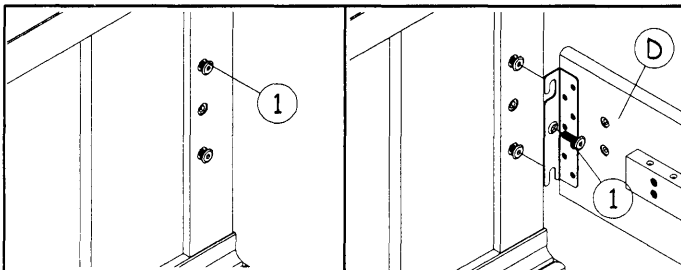
Fix head bottom leg left & right to the head board top with minifix '6' as shown.

Step 2



Fix bolts '4' to the headboard top and head bottom leg as shown.

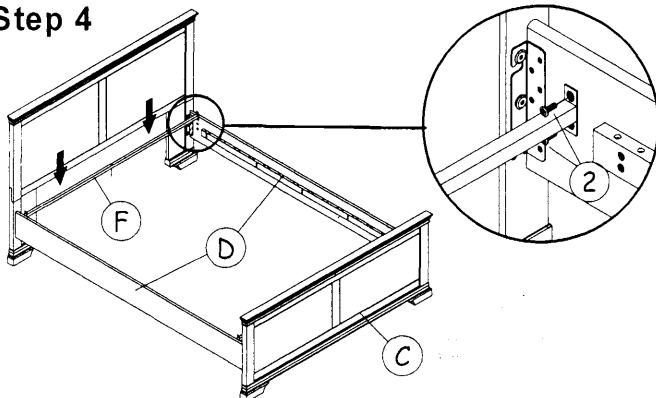
Step 3



Fix bolts '1' (upper & lower bolts) into position on wood leg as show. After that hook the side rail to the bolt and fix center bolts '1' as shown.

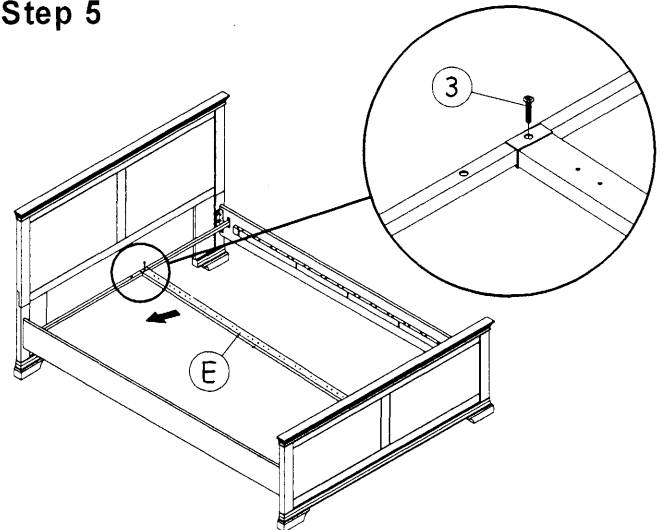
Important note : Do not tighten the bolts yet!

Step 4



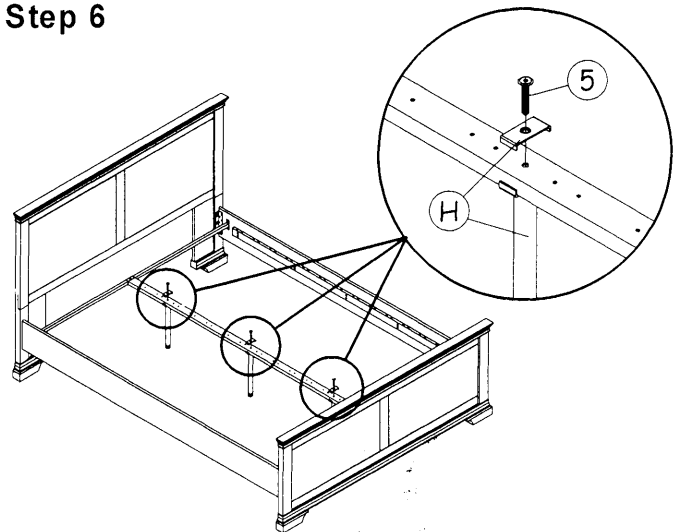
Fix cross bar 'F' to the side rail with bolts '2' as shown.

Step 5



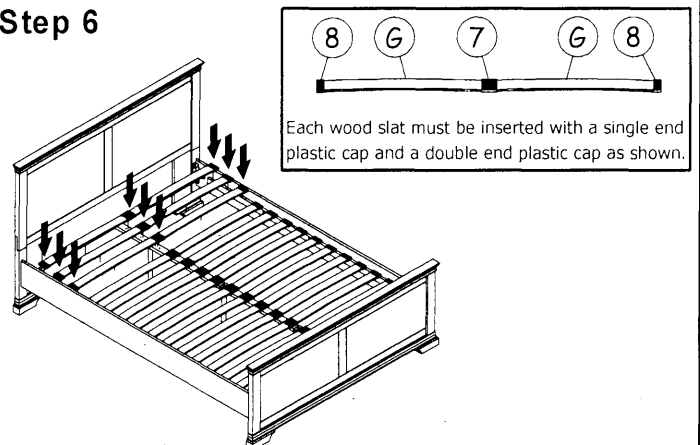
Fix center bar 'E' to the cross bar 'F' with bolts '3' as shown.

Step 6



Fix bed support legs as shown and tighten all bolts.

Step 6

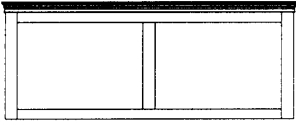

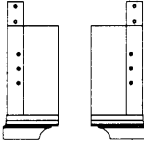

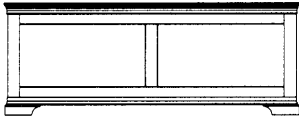

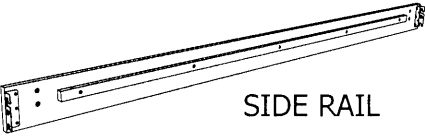

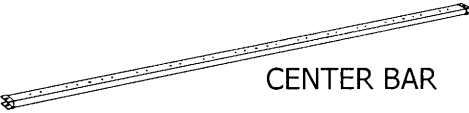
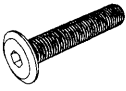
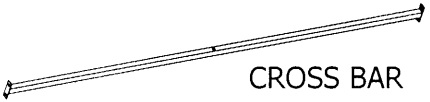
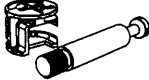

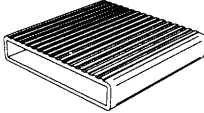
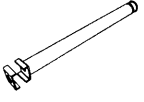
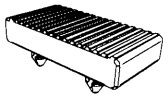




Each wood slat must be inserted with a single end plastic cap and a double end plastic cap as shown.

Once both wood slats have been inserted with the plastic caps, fix it on the wood side rails and center bar by pressing it accordingly to the default holes. Ensure the plastic cap's pin is aimed to the hole.

Please follow our assembly instruction procedure for easier assemble.

PARTS & HARDWARE LIST FOR 5-6688-MSR-BW-80"

NO.	PART	QTY.	NO.	HARDWARE	QTY.
A	 HEAD BOARD TOP	1 PC	1	 JCBC BOLT M8 x 25mm	12 PCS
B	 HEAD BOTTOM LEG - L/R	2 PCS	2	 JCBC BOLT M6 x 15mm	8 PCS
C	 FOOTBOARD	1 PC	3	 JCBC BOLT M6 x 30mm	2 PCS
D	 SIDE RAIL	2 PCS	4	 JCB BOLT M8 x 30mm	4 PCS
E	 CENTER BAR	1 PC	5	 JCBC BOLT M8 x 40mm (ASSEMBLED)	3 PCS
F	 CROSS BAR	2 PCS	6	 MINIFIX	4 PCS
G	 WOOD SLAT	28 PCS	7	 DOUBLE END PLASTIC CAP	14 PCS
H	 SUPPORT LEG	3 PCS	8	 SINGLE END PLASTIC CAP	28 PCS
			9	 ALLEN KEY - M6	1 PC
			10	 ALLEN KEY - M8	1 PC